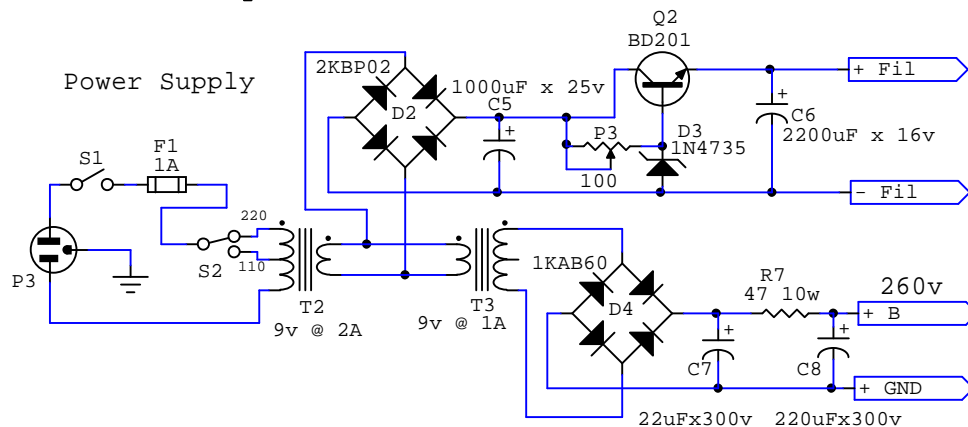
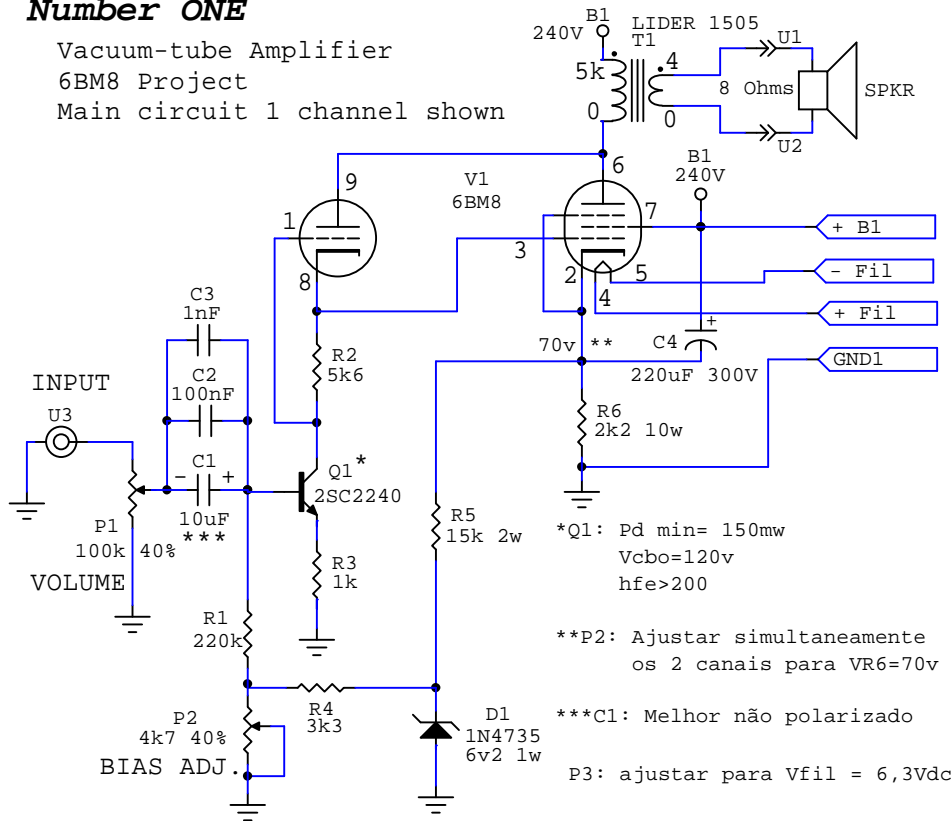


# Number ONE

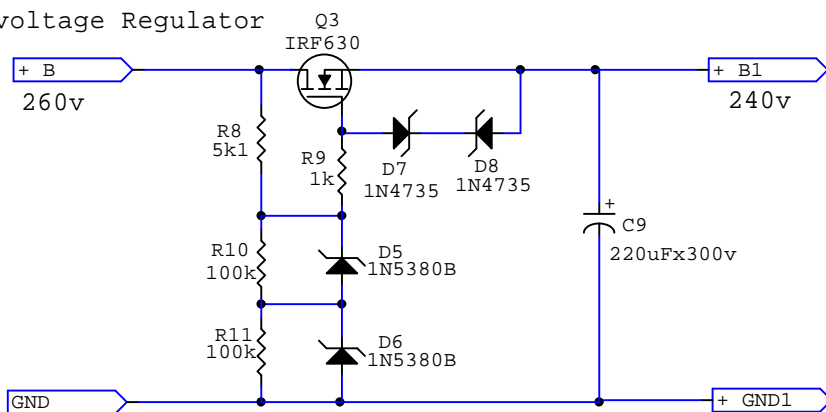
Vacuum-tube Amplifier

6BM8 Project

Main circuit 1 channel shown



## High-voltage Regulator



LPJ Audio	
Number ONE version 2	
Rev 4.0	ID Luciano Peccerini Junior
Date: 20100211	Page: 1 of 1